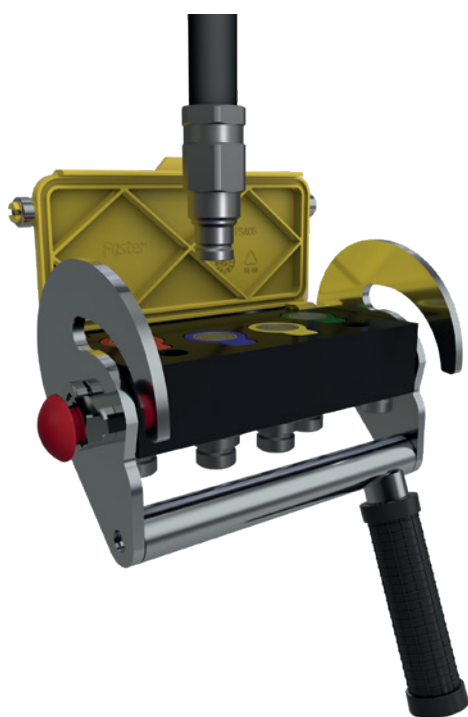




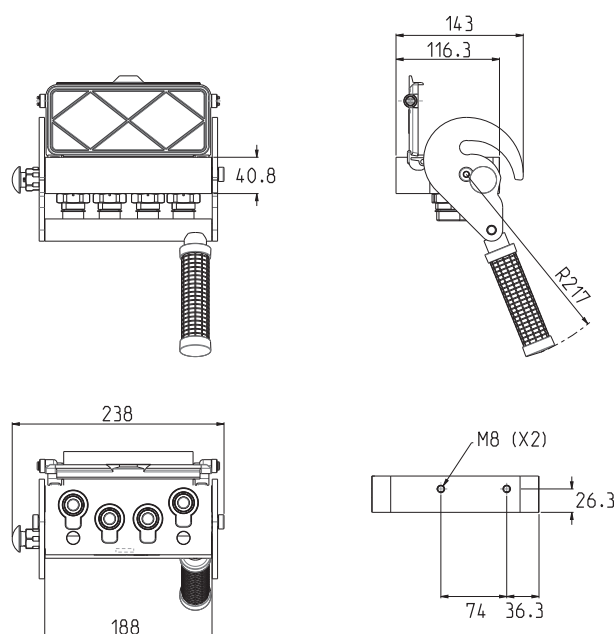
# MF PSA06

## MultiFaster 4 lines, size o6. ISO 16028 individual couplings connectable.

Thanks to the special cartridges design, it's possible to connect to this series either a PSo6 mobile half or up to four ISO 16028 3/8" individual couplings.



## Applications



## Technical Specifications

dash	Size		Working Pressure (MPa)	Flow Rate (l/min)	Spillage (ml)	Burst pressure (MPa)		
	mm	inch				Male	Female	Male + Female
06	10	3/8"	25	40	0.008	100	100	100

Material	<b>Aluminium; Steel</b>
Seals	<b>NBR; PUR</b>
Working temperatures	<b>- 25 °C to + 100 °C</b>
Surface treatment	<b>MATE 500 (CrIII); Paint</b>

Valve Type	<b>Flat</b>
Connection	<b>Lever</b>
Disconnection	<b>Lever</b>
Connection Under Pressure	<b>Allowed Residual</b>



# PSA06

Size					Thread Type					FIXED
dash	mm	inch	Housing	Number of Couplings	Thread Type	Standard	Thread	Electrical Connector N	Connector Type	Part Number
06	10	3/8"	4	4	02/ METRIC	ISO 8434-1-L	M22x1.5 MALE 15L			2PSA06-4-2/22FC

Size					Thread Type					MOBILE
dash	mm	inch	Housing	Number of Couplings	Thread Type	Standard	Thread	Electrical Connector N	Connector Type	Part Number
06	10	3/8"	4	4	F BSPP	ISO 1179-1	BSPP 3/8" FEMALE			2PS06-4-38G M C
06	10	3/8"	4	4	20/ BSPP	ISO 8434-6	BSPP 1/2" FEMALE SWIVEL NUT			2PS06-4-20/12MC
06	10	3/8"	4	4	16/ BSPP	ISO 1179-1	BSPP 3/8" FEMALE			2PS06-4-16/3GMC
06	10	3/8"	4	4	11/ SAE	ISO 8434-3	13/16"-16 UN MALE ORFS			2PS06-4-11/FSMC
06	10	3/8"	4	2	02/ METRIC	ISO 8434-1-L	M22x1,5 MALE 15L			2PS06-2-2/22M C
06	10	3/8"	4	4	F BSPP	ISO 1179-1	BSPP 1/2" FEMALE			2PS06-4-12G M C
06	10	3/8"	4	4	02/ METRIC	ISO 8434-1-L	M22x1,5 MALE 15L			2PS06-4-2/22M C

## Spare Parts & Accessories

Female Half				Male Half					
Plates	Lever	Dust cover	Safety Lock	Plates	Seals male	Screws	Plugs	Guiding pins	Docking
					SK MF 38	KIT VP4	KIT TSP 12 M		

