

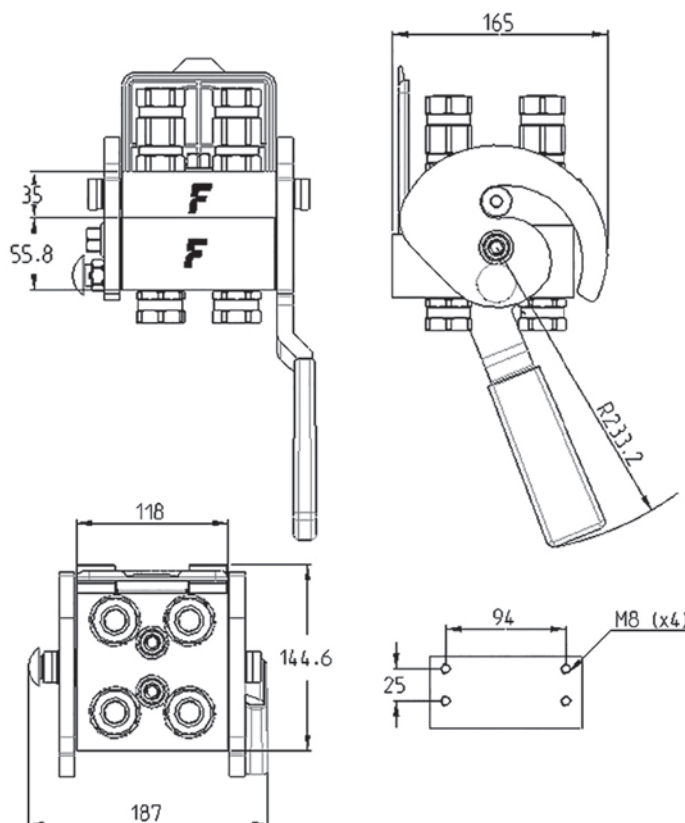
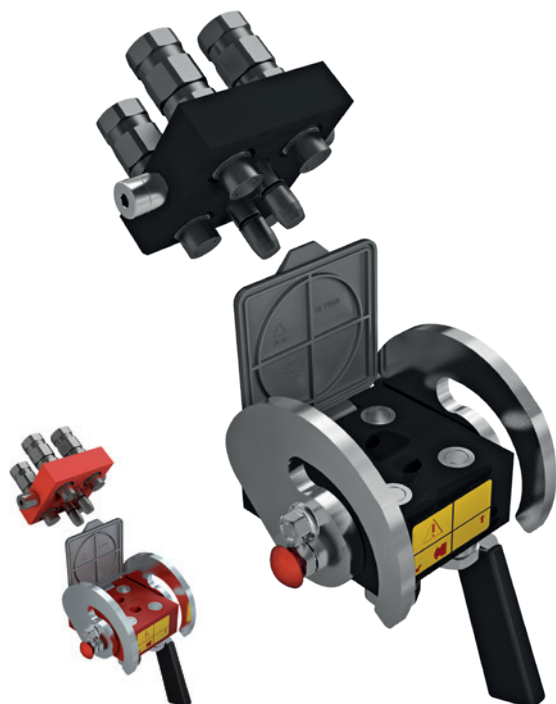


# MF PH408S

**MultiFaster, high pressure version, 4 lines size 08.**

New multi-connection system specifically designed to withstand high pressure applications (42 MPa). Equipped with 4 lines size 08. Black cataphoresis plates with Zn-Ni plated carbon steel handle and cams or red paint plates with stainless steel handle and cams.

## Applications



## Technical Specifications

| dash | Size<br>mm | inch | Working Pressure<br>(MPa) | Flow Rate<br>(l/min) | Spillage<br>(ml) | Burst pressure (MPa) |        |               |
|------|------------|------|---------------------------|----------------------|------------------|----------------------|--------|---------------|
|      |            |      |                           |                      |                  | Male                 | Female | Male + Female |
| 08   | 12.5       | 1/2" | 46                        | 60                   | 0.01             | 138                  | 138    | 138           |

|                      |                                   |
|----------------------|-----------------------------------|
| Material             | <b>Aluminium; Stainless Steel</b> |
| Seals                | <b>NBR; PUR</b>                   |
| Working temperatures | <b>- 25 °C to + 100 °C</b>        |
| Surface treatment    | <b>MATE 1000 (ZnNi); Paint</b>    |

|                           |                         |
|---------------------------|-------------------------|
| Valve Type                | <b>Flat</b>             |
| Connection                | <b>Lever</b>            |
| Disconnection             | <b>Lever</b>            |
| Connection Under Pressure | <b>Allowed Residual</b> |



# PH408S

| Size |      |      |         |                     | Thread Type |            |                  |              |                | FIXED            |
|------|------|------|---------|---------------------|-------------|------------|------------------|--------------|----------------|------------------|
| dash | mm   | inch | Housing | Number of Couplings | Thread Type | Standard   | Thread           | Electrical N | Connector Type | Part Number      |
| 08   | 12.5 | 1/2" | 4       | 4                   | F BSPP      | ISO 1179-1 | BSPP 1/2" FEMALE |              |                | PH408S-4-12G F C |
| 08   | 12.5 | 1/2" | 4       | 4                   | F BSPP      | ISO 1179-1 | BSPP 1/2" FEMALE |              |                | PH408-4-12G F C* |

| Size |      |      |         |                     | Thread Type |            |                  |              |                | MOBILE            |
|------|------|------|---------|---------------------|-------------|------------|------------------|--------------|----------------|-------------------|
| dash | mm   | inch | Housing | Number of Couplings | Thread Type | Standard   | Thread           | Electrical N | Connector Type | Part Number       |
| 08   | 12.5 | 1/2" | 4       | 4                   | F BSPP      | ISO 1179-1 | BSPP 1/2" FEMALE |              |                | 3PH408S-4-12G M C |
| 08   | 12.5 | 1/2" | 4       | 4                   | F BSPP      | ISO 1179-1 | BSPP 1/2" FEMALE |              |                | 3PH408-4-12G MC*  |

\*Red paint plates with stainless steel handle and cams version.

## Spare Parts & Accessories

### PH408

| Female Half   |       |              |             | Male Half   |            |         |              |              |         |
|---------------|-------|--------------|-------------|-------------|------------|---------|--------------|--------------|---------|
| Plates        | Lever | Dust cover   | Safety Lock | Plates      | Seals male | Screws  | Plugs        | Guiding pins | Docking |
| KIT PH408 F L |       | KIT TA PH408 | KIT SP5 7   | KIT PH408 M | SK 3FFH 08 | KIT VPH | KIT TSP 38 M | KIT GPH      |         |

### PH408S

| Female Half |       |              |             | Male Half |            |         |       |              |         |
|-------------|-------|--------------|-------------|-----------|------------|---------|-------|--------------|---------|
| Plates      | Lever | Dust cover   | Safety Lock | Plates    | Seals male | Screws  | Plugs | Guiding pins | Docking |
|             |       | KIT TA PH408 |             |           | SK 3FFH 08 | KIT VPH |       |              |         |

