



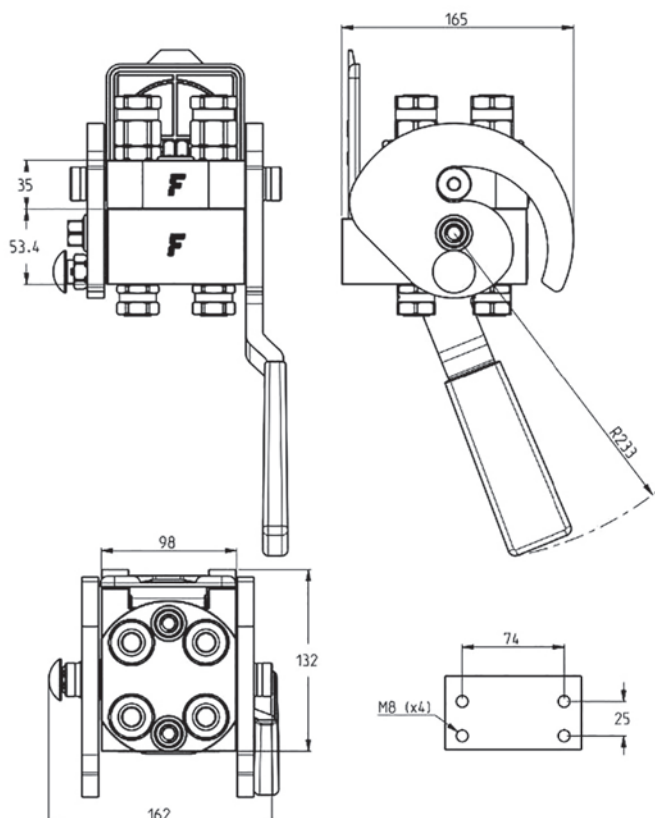
MF PH406S

MultiFaster, high pressure version, 4 lines size 06.

New multi-connection system specifically designed to withstand high pressure applications (42 MPa). Equipped with 4 lines size 06. Black cathaphoresis plates with Zn-Ni plated carbon steel handle and cams or red paint plates with stainless steel handle and cams.



Applications



Technical Specifications

dash	Size		Working Pressure (MPa)	Flow Rate (l/min)	Spillage (ml)	Burst pressure (MPa)		
	mm	inch				Male	Female	Male + Female
06	10	3/8"	46	35	0.008	138	138	138

Material	Aluminium; Stainless Steel
Seals	NBR; PUR
Working temperatures	- 25 °C to + 100 °C
Surface treatment	MATE 1000 (ZnNi); Paint

Valve Type	Flat
Connection	Lever
Disconnection	Lever
Connection Under Pressure	Allowed Residual



PH406S

Size					Thread Type					FIXED
dash	mm	inch	Housing	Number of Couplings	Thread Type	Standard	Thread	Electrical Connector N	Connector Type	Part Number
06	10	3/8"	4	4	F BSPP	ISO 1179-1	BSPP 3/8" FEMALE			PH406S-4-38G F C
06	10	3/8"	4	4	03/ METRIC	ISO 8434-1-S	M20x1.5 MALE 12S			PH406-4-A F C*
06	10	3/8"	4	4	F BSPP	ISO 1179-1	BSPP 3/8" FEMALE			PH406-4-38G F C*

Size					Thread Type					MOBILE
dash	mm	inch	Housing	Number of Couplings	Thread Type	Standard	Thread	Electrical Connector N	Connector Type	Part Number
06	10	3/8"	4	4	F BSPP	ISO 1179-1	BSPP 3/8" FEMALE			3PH406S-4-38G M C
06	10	3/8"	4	4	03/ METRIC	ISO 8434-1-S	M20x1.5 MALE 12S			3PH406-4-A M C*
06	10	3/8"	4	4	F BSPP	ISO 1179-1	BSPP 3/8" FEMALE			3PH406-4-38G MC*

*Red paint plates with stainless steel handle and cams version.

Spare Parts & Accessories

PH406

Female Half				Male Half					
Plates	Lever	Dust cover	Safety Lock	Plates	Seals male	Screws	Plugs	Guiding pins	Docking
KIT PH406 F L		KIT TA PH406	KIT SP5 7	KIT PH406 M	SK 3FFH06	KIT VPH	KIT TSP 12 M	KIT GPH	

PH406S

Female Half				Male Half					
Plates	Lever	Dust cover	Safety Lock	Plates	Seals male	Screws	Plugs	Guiding pins	Docking
		KIT TA PH406			SK 3FFH06	KIT VPH			

