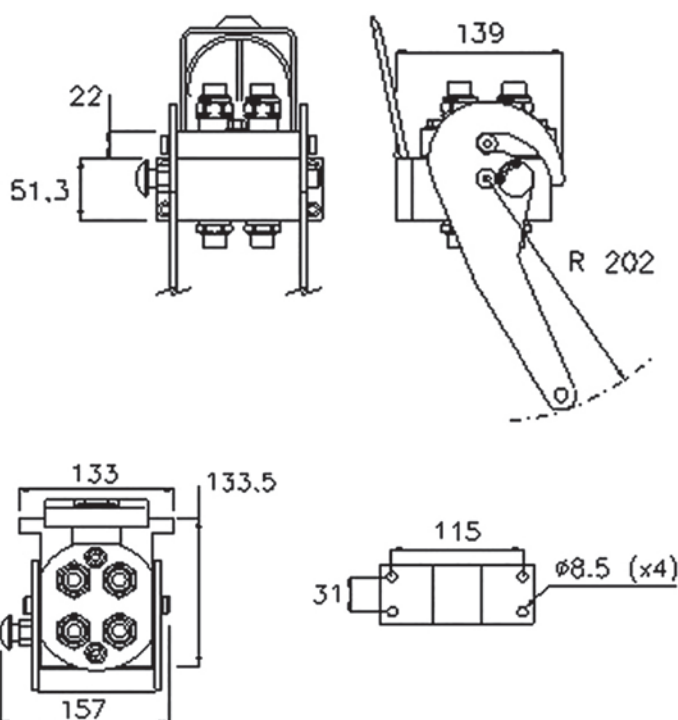




MF P506G

MultiFaster 4 lines, size 06, "G" type, with greaser and Zinc-Nickel plating.

Applications



Technical Specifications

| dash | Size | | Working Pressure (MPa) | Flow Rate (l/min) | Spillage (ml) | Burst pressure (MPa) | | |
|------|------|------|------------------------|-------------------|---------------|----------------------|--------|---------------|
| | mm | inch | | | | Male | Female | Male + Female |
| 06 | 10 | 3/8" | 25 | 40 | 0.008 | 100 | 100 | 100 |

| | | | |
|----------------------|-------------------------|---------------------------|------------------|
| Material | Aluminium; Steel | Valve Type | Flat |
| Seals | NBR; PUR | Connection | Lever |
| Working temperatures | - 25 °C to + 100 °C | Disconnection | Lever |
| Surface treatment | MATE 1000 (ZnNi); Paint | Connection Under Pressure | Allowed Residual |



P506G

| Size | | | | | Thread Type | | | | | FIXED |
|------|----|------|---------|---------------------|-------------|------------|-----------------|------------------------|----------------|-----------------|
| dash | mm | inch | Housing | Number of Couplings | Thread Type | Standard | Thread | Electrical Connector N | Connector Type | Part Number |
| 06 | 10 | 3/8" | 4 | 4 | F BSP | ISO 1179-1 | BSP 1/2" FEMALE | | | 2P506G-4-12G FC |

| Size | | | | | Thread Type | | | | | MOBILE |
|------|----|------|---------|---------------------|-------------|------------|-----------------|------------------------|----------------|-----------------|
| dash | mm | inch | Housing | Number of Couplings | Thread Type | Standard | Thread | Electrical Connector N | Connector Type | Part Number |
| 06 | 10 | 3/8" | 4 | 4 | F BSP | ISO 1179-1 | BSP 1/2" FEMALE | | | 3P506G-4-12G MC |

Spare Parts & Accessories

| Female Half | | | | Male Half | | | | | |
|---------------|------------|------------|-------------|-----------|------------|-----------|--------------|--------------|---------|
| Plates | Lever | Dust cover | Safety Lock | Plates | Seals male | Screws | Plugs | Guiding pins | Docking |
| KIT P506G F L | KIT LP506G | KIT TA P5 | KIT SP5 7 | | SK MF 38 | KIT VP4 7 | KIT TSP 12 M | KIT GP4 7 | |

