



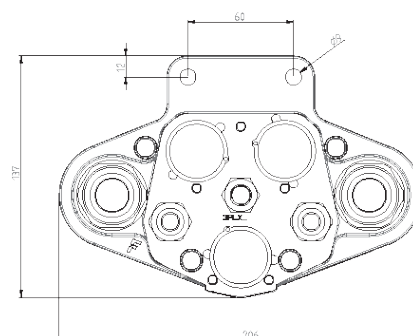
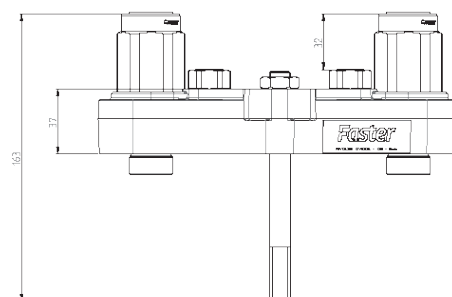
MF 3PLX

Mobile Plate for Combine Application.

Multiconnection 2 lines dash 04 and 2 lines dash 08, with 3 empty seats suitable for electrical connectors. Flat face couplers, CrIII plated. Plate available in two versions: aluminum natural color sandblasted finish, and black painted. Multiconnection is MARKET interchangeable, suitable for combine application.



Applications



Technical Specifications

dash	Size mm	inch	Working Pressure (MPa)	Flow Rate (l/min)	Spillage (ml)	Burst pressure (MPa)		
						Male	Female	Male + Female
04	6.3	1/4"	15	16	0.006	60	60	60
08	12.5	1/2"	25	65	0.01	100	100	100

Material	Aluminium; Steel
Seals	PUR
Working temperatures	- 25 °C to + 100 °C
Surface treatment	MATE 500 (CrIII)

Valve Type	Flat
Connection	Lever
Disconnection	Lever
Connection Under Pressure	Not Allowed

3PLX

Size			Housing	Number of Couplings	Thread Type			Electrical Connector		MOBILE
dash	mm	inch			Thread Type	Standard	Thread	N	Type	Part Number
04	6.3	1/4"	4	2	F BSPP	ISO 1179-1	BSPP 1/4" FEMALE			3PLX-0-4 M C
08	12.5	1/2"		2	O/ SAE	ISO 11926-1	7/8"-14 UNF FEMALE ORB			
04	6.3	1/4"	4	2	F BSPP	ISO 1179-1	BSPP 1/4" FEMALE			3PLX-0-4-A M C
08	12.5	1/2"		2	O/ SAE	ISO 11926-1	7/8"-14 UNF FEMALE ORB			

